

## Opening your windows shouldn't be a workout



**Get unparalleled performance with PARALLEX™**

*Preferred Engineering Products offers a revolutionary precision designed hardware system to make window operation a simple, perfectly balanced, almost weightless one-finger function.*

*The patented Paralex system offers unmatched ease of use with a single handle operation for the slide, tilt and multi-lock function on hung and slider windows. Our unique casement hardware completely eliminates the use of a crank, which gives an uncluttered, clean, finished appearance without any mechanism to get tangled up in blinds or drapes. Engineering design has focused on smooth, effortless, safe operation, while delivering improved ventilation, a larger, clearer view, maximized egress and greater security. It's no wonder home owners ask for Paralex by name.*

*This integrated window hardware, designed for use in vertical and horizontal slider and casement windows makes opening a window as simple as opening a door. Window sashes can either swing in or out to maximize ventilation and to make cleaning exterior glass a snap. The patented Slide 'N' Hide™ rollaway bug screen can also be integrated with Paralex.*

*The Paralex system consists of durable toothed composite engineered tracks made of DuPont™ Zytel® DMX, robust carrier shoes complete with tandem long life brass wheels and a pivot shaft that runs through the sash. A self-lubricating bearing in the carrier shoes meshes with the teeth in the guide track ensuring parallel alignment of the sash. These components work together to stabilize the forces acting upon the sash, preventing jamming and sash sag as well as sash distortion associated with other types of hardware. Due to the functionally superior design, ease of operation can be attained with sash sizes larger than a door. With the increasing interest in daylighting, studies have shown that increased exposure to full spectrum daylight has significant health benefits. These larger sash sizes permit more light and ventilation to the dwelling and can also with the appropriate glazing equate to greater energy savings.*

- Keep the crank
- Kill the crank



Casement



Slider



Double-hung

**preferred**  
Engineering Products Ltd.

## Benefits of the Parallelex™ System

### Window Manufacturers

- Increased profits: much of the Parallelex hardware is generic to casement, hung and slider windows and fewer profiles need to be inventoried.
- In some applications, Parallelex can cost less than half the price of alternative less effective hardware
- Ease of system assembly means increased worker productivity
- Significant product differentiation
- Desirability of features makes windows using Parallelex hardware more attractive to consumers
- When used in conjunction with the Slide'N'Hide rollaway screen, significant savings on screen remakes and service calls from shipping damage can be achieved
- Parallelex meets all AMMA and CSA specifications for air, water, structural, forced entry and ease of operation.

### Dealers and Distributors

- Significant product differentiation;
- Unique features make windows with Parallelex hardware more attractive to homeowners
- Premium window features = higher margins
- System quality and ease-of-use virtually eliminates service calls.

### Homeowners

- Smooth almost weightless one finger operation.
- Easy to clean
- Greater safety and reliability
- Increased ventilation
- Operating sashes up to 48"X 72"offer more daylight
- Integrated Slide'N'Hide screen system disappears when not needed, offering a clear unobstructed view with more daylight
- Quick simple egress in the event of a fire
- Especially suited for use by the elderly or physically challenged consumer
- No crank handles to tangle in blinds or drapes.

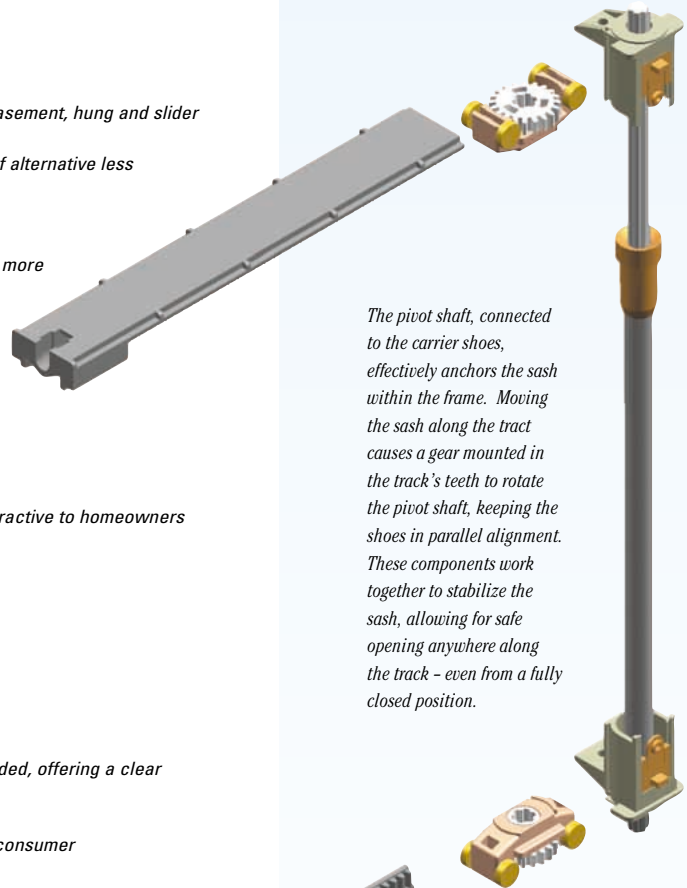
## The System of Choice

Increase profitability and lower production costs by producing casement, awning, tilt-in slider or double-hung windows with one hardware system.

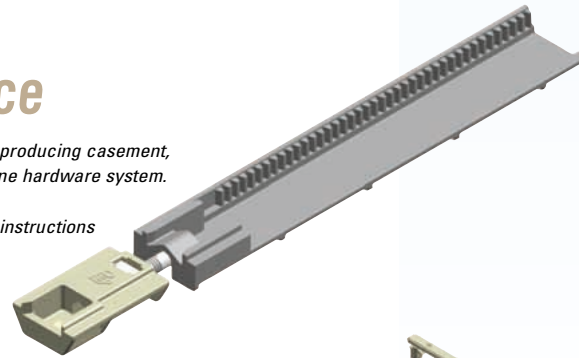
Preferred Engineering offers step-by-step assembly instructions with the Parallelex video and assembly guide. The engineering group is available to help you through design and development for Parallelex to fit your needs. We offer services which include complete computerized state-of-the-art 3D modeling and an in-house test facility, as well as trouble shooting in the field or at your manufacturing plant. We are committed to our goal of providing you with innovative solutions and unique hardware product that far exceed market expectations, surpassing performance of alternative products and that are cost effective.

Our marketing team is available to assist the sell through with product training for your staff, dealers and distributors and assist with development of promotional material and incentive programs. Contact us today to find out how we can help you make the right choice.

## How it works



The pivot shaft, connected to the carrier shoes, effectively anchors the sash within the frame. Moving the sash along the track causes a gear mounted in the track's teeth to rotate the pivot shaft, keeping the shoes in parallel alignment. These components work together to stabilize the sash, allowing for safe opening anywhere along the track - even from a fully closed position.



Casement hardware with Slide'N'Hide™



Slider hardware with Slide'N'Hide™



Double-hung hardware with Slide'N'Hide™ shown in window frame

*We'll help you build the window that people prefer*

CANADA - 350 Creditstone Road, Unit 204, Vaughan, Ontario L4K 3Z2 • U.S.A. - 3203 Eggert Road, Buffalo, N. Y. 14215  
www.preferred-eng.com 1-800-387-5835

**preferred**  
Engineering Products Ltd.